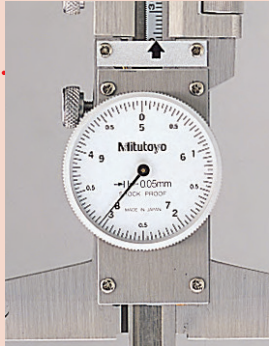


Dial Depth Gage

SERIES 527 — with Fine Adjustment

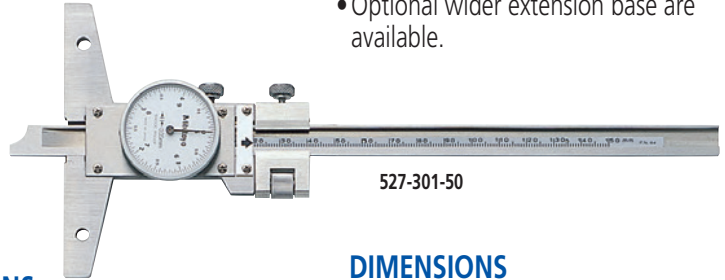
Technical Data

Dial reading: .001" or 0.05mm
Base size: 100x6.5mm (WxT)



FEATURES

- Easier and faster reading of dial.
- Made of hardened stainless steel.
- Base and measuring faces are hardened and micro-lapped.
- Optional wider extension base are available.



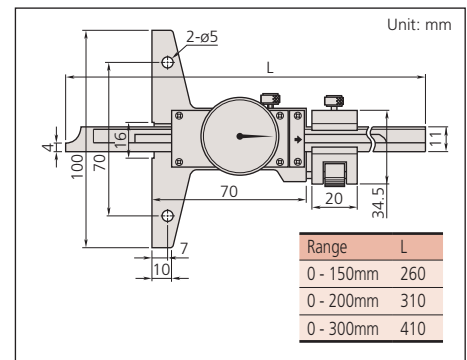
527-301-50

SPECIFICATIONS

Metric				
Range	Order No.	Dial reading	Accuracy	Mass (g)
0 - 150mm	527-301-50	0.05mm	±0.05mm	280
0 - 200mm	527-302-50	0.05mm	±0.05mm	300
0 - 300mm	527-303-50	0.05mm	±0.08mm	340

Inch				
Range	Order No.	Dial reading	Accuracy	Mass (g)
0 - 6"	527-311-50	.001"	±.001"	280
0 - 8"	527-312-50	.001"	±.001"	300
0 - 12"	527-313-50	.001"	±.0015"	340

DIMENSIONS

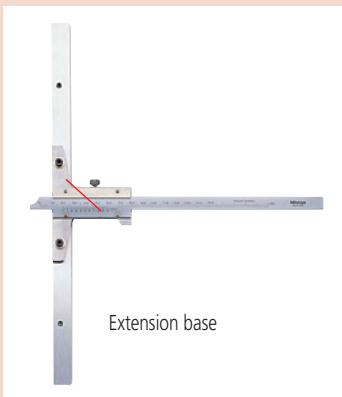


Extension Bases

Optional Accessory for Depth Gage

FEATURES

- Attached to the base (reference face) plate of a depth gage to extend its span.
- These extension base cannot be attached to 0-24" and 0-40", 0-600mm, 0-1000mm, range models.



Extension base



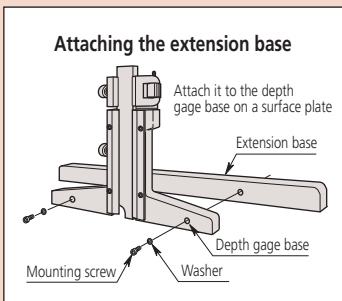
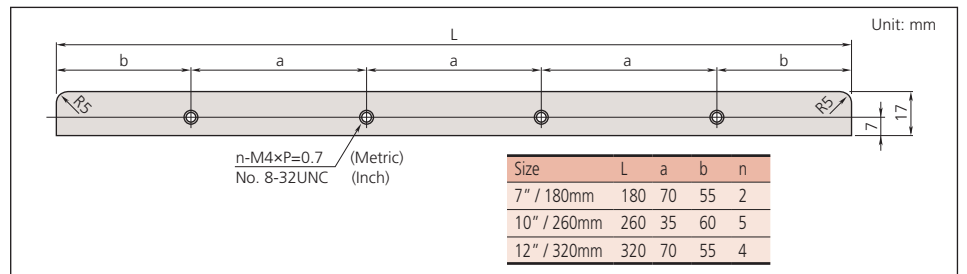
900372

SPECIFICATIONS

Metric			
Size	Order No.	Remarks (dimension a, b / n)	
180mm	900370	70mm, 55mm	2
260mm	900371	35mm, 60mm	5
320mm	900372	70mm, 55mm	4

Inch			
Size	Order No.	Remarks (dimension a, b / n)	
7"	900367	2.76", 2.17"	2
10"	900368	1.38", 2.36"	5
12"	900369	2.76", 2.17"	4

DIMENSIONS



Attaching the extension base

Attach it to the depth gage base on a surface plate

Extension base

Depth gage base

Mounting screw

Washer