



700, 700M Series Inside Micrometer Calipers

.200-2" / 5-50mm

Caliper-type jaws permit quick inside measurements accurate to $\pm .0002"$ or $\pm 0.003\text{mm}$. Jaws are hardened and ground on a radius for accurate feel without cramping.

- Satin chrome reading surface is glare free and resists rust
- Smooth friction thimble for consistent readings
- Lock screw



700 Inside Micrometer Calipers (.001" Graduation)

Range	Description	Catalog No.	EDP
.200-1.200"	Friction Thimble, Lock Screw	700A	52909
1-2"	Friction Thimble, Lock Screw	700B	52911

700M Inside Micrometer Calipers (0.01mm Graduation)

5-30mm	Friction Thimble, Lock Screw	700MA	56063
25-50mm	Friction Thimble, Lock Screw	700MB	56064

Case for 700 & 700M Inside Micrometer Calipers

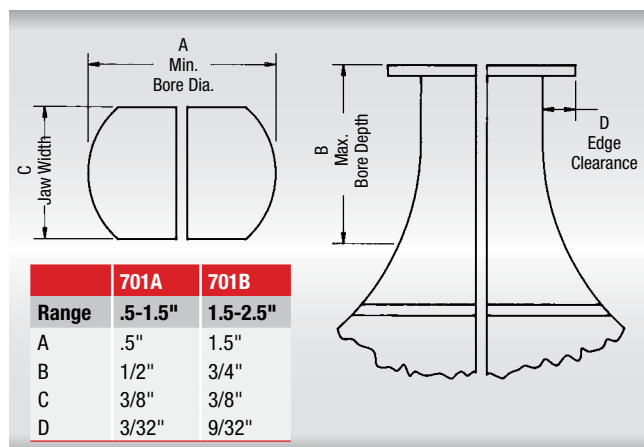
Case for 700, 700M Series	940	55359
---------------------------	-----	-------

701 Series Internal Groove Micrometers

.500-2.500"

Measures grooves for retaining rings and "O" rings, oil grooves, washer grooves, as well as bores and recesses. Depth of grooves up to $5/64"$ can be measured with 701A; and $7/32"$ with 701B. Tool is accurate to $\pm .0002"$.

- Hardened and ground gaging contacts are $.030"$ thick
- Contacts have flush ends to gage grooves at the bottom of blind holes
- Satin chrome reading surface is glare free and resists rust
- Smooth friction thimble for consistent readings
- Lock screw



701 Internal Groove Micrometers (.001" Graduation)

Range	Min. Bore	Max. Depth Bore	Thickness Jaws	Description	Catalog No.	EDP
.500-1.500"	.500"	1/2"	.030"	Friction Thimble, Lock Screw	701A	52913
1.500-2.500"	1.500"	7/8"		Friction Thimble, Lock Screw	701B	52915

Case for 701 Internal Groove Micrometers

Description	Catalog No.	EDP
Protective Case	940	55359